

## Features:

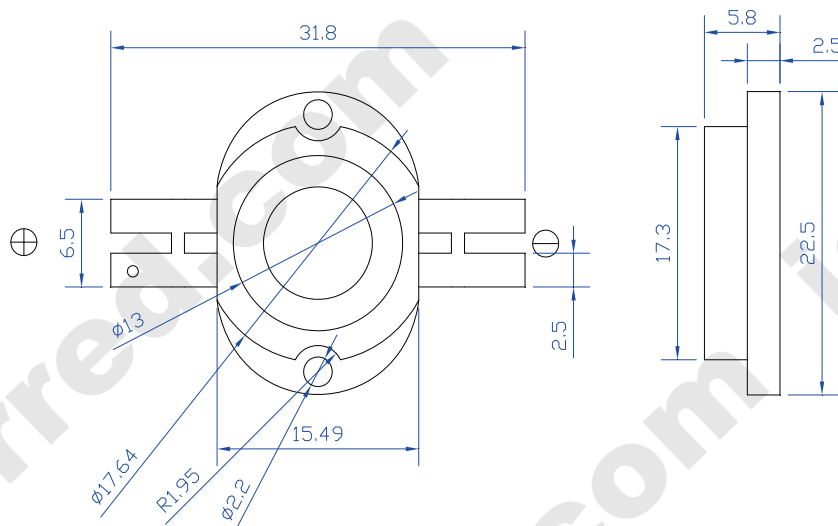
- Highest Flux
- High reliability and Very long operating life
- Low voltage DC operated
- More Energy Efficient than Incandescent and most Halogen lamps
- NO UV
- Superior ESD protection
- RoHS Compliant



**ATTENTION**  
OBSERVE PRECAUTIONS  
FOR HANDLING  
ELECTROSTATIC  
DISCHARGE  
SENSITIVE  
DEVICES

## Typical Applications:

- Lighting
- Portable
- Automobile
- Decorations



### NOTE:

- All dimensions are millimeter.
- Tolerance is  $\pm 0.1\text{mm}$  unless otherwise noted.
- It is strongly recommended that the temperature of lead be not higher than  $60^{\circ}\text{C}$ .
- The appearance and specifications of the product may be modified for improvement without notice.

**Absolute maximum ratings (Ta = 25°C)**

Parameter	Symbol	Test Condition	Value		Unit
			Min.	Max.	
DC Forward Current	IF	----	----	850	mA
Peak Pulse Current	Ipeak	Duty=0.1mS, 1kHz	----	1400	mA
Power Dissipation	Pd	----	----	12	W
LED Junction Temperature	Tj	----	----	120	°C
Operating Temperature	Topr	----	-25	+80	°C
Storage Temperature	Tstr	----	-40	+100	°C
ESD Sensitivity	----	HBM	8000	----	V
Soldering Temperature	----	----	260°C for 5 Seconds max		

**Electrical and optical characteristics (Ta = 25°C)**

Parameter	Symbol	Test Condition	Value			Unit
			Min.	Typ.	Max.	
Forward Voltage	VF	IF = 700mA	12.0	12.8	16.0	V
Luminous Flux	Φv		----	550	----	lm
Viewing Angle	2θ 1/2		----	120	----	Deg.
Color Temperature	CCT		5000	----	8000	K

**Luminous Flux Bins (Ta = 25°C)****Unit: lm**

Bin	Z	A2	B2
Min	450	500	600
Max	500	600	700

**CCT Bins (Ta = 25°C)****Unit: K**

Bin	W6	W7	W8	W9
Min	5000	5600	6300	7000
Max	5600	6300	7000	8000

**Note**

1. Flux is measured with an accuracy of ±15%
2. CCT is measured with an accuracy of ± 200K
3. Dominant Wavelength is measured with an accuracy of ± 1.5nm
4. Forward Voltage is measured with an accuracy of ± 0.15V