

## Features:

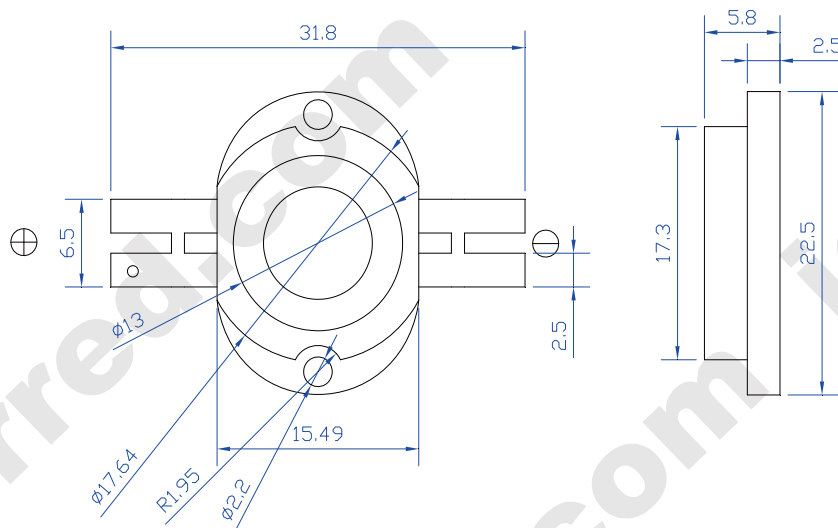
- Highest Flux
- High reliability and Very long operating life
- Low voltage DC operated
- More Energy Efficient than Incandescent and most Halogen lamps
- NO UV
- Superior ESD protection
- RoHS Compliant



**ATTENTION**  
OBSERVE PRECAUTIONS  
FOR HANDLING  
ELECTROSTATIC  
DISCHARGE  
SENSITIVE  
DEVICES

## Typical Applications:

- Lighting
- Portable
- Automobile
- Decorations



### NOTE:

- All dimensions are millimeter.
- Tolerance is  $\pm 0.1\text{mm}$  unless otherwise noted.
- It is strongly recommended that the temperature of lead be not higher than  $60^\circ\text{C}$ .
- The appearance and specifications of the product may be modified for improvement without notice.

**Absolute maximum ratings (Ta = 25°C)**

Parameter	Symbol	Test Condition	Value		Unit
			Min.	Max.	
DC Forward Current	IF	----	----	1800	mA
Peak Pulse Current	Ipeak	Duty=0.1mS, 1kHz	----	2800	mA
Power Dissipation	Pd	----	----	25	W
LED Junction Temperature	Tj	----	----	120	°C
Operating Temperature	Topr	----	-25	+80	°C
Storage Temperature	Tstr	----	-40	+100	°C
ESD Sensitivity	----	HBM	8000	----	V
Soldering Temperature	----	----	260°C for 5 Seconds max		

**Electrical and optical characteristics (Ta = 25°C)**

Parameter	Symbol	Test Condition	Value			Unit
			Min.	Typ.	Max.	
Forward Voltage	VF	IF = 1400mA	10.0	12.8	16.0	V
Luminous Flux	Φv		----	220	----	lm
Viewing Angle	2θ 1/2		----	120	----	Deg.
Dominant Wavelength	λd		460	----	470	nm

**Luminous Flux Bins (Ta = 25°C)****Unit: lm**

Bin	S	T	U
Min	180	200	240
Max	200	240	280

**Note**

1. Flux is measured with an accuracy of ±15%
2. CCT is measured with an accuracy of ± 200K
3. Dominant Wavelength is measured with an accuracy of ± 1.5nm
4. Forward Voltage is measured with an accuracy of ± 0.15V