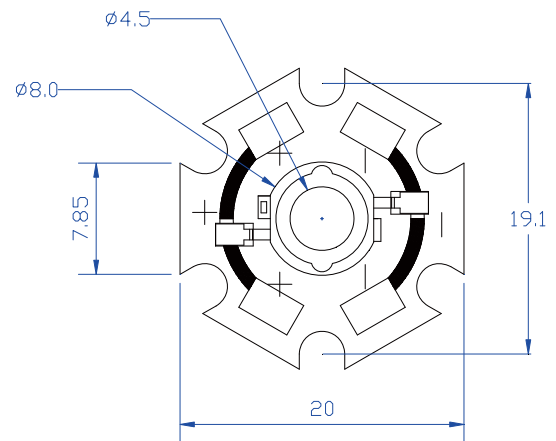


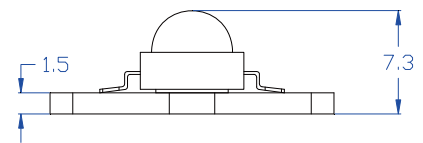
Features:

- Highest Flux
- High reliability and Very long operating life
- Low voltage DC operated
- More Energy Efficient
- NO UV
- Superior ESD protection
- RoHS Compliant

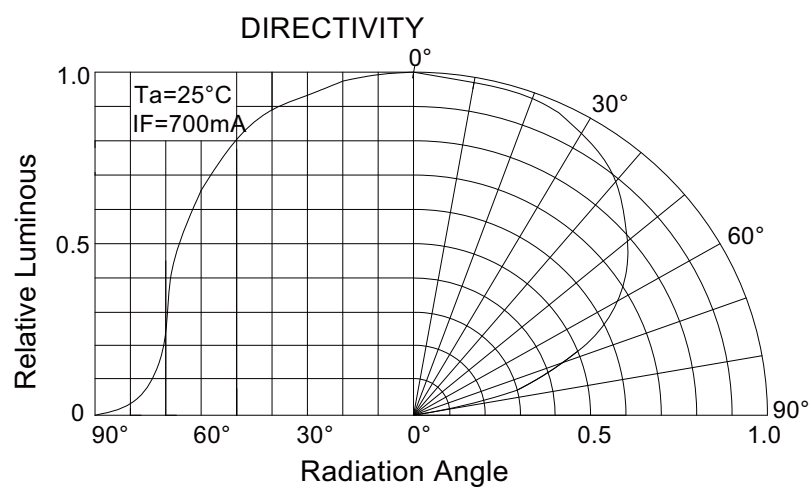
**Typical Applications:**

- Reading lights
- Portable
- Automotive Exterior
- Decorative

Anode(+)  CathODE(-)

**NOTE:**

- All dimensions are millimeter.
- Tolerance is $\pm 0.25\text{mm}$ unless noted





Absolute maximum ratings (Ta = 25°C)

Parameter	Symbol	Test Condition	Value		Unit
			Min.	Max.	
DC Forward Current	IF	----	----	700	mA
Peak Pulse Current	Ipeak	Duty=0.1mS, 1kHz	----	1000	mA
Power Dissipation	Pd	----	----	3.0	W
LED Junction Temperature	Tj	----	----	120	°C
Operating Temperature	Topr	----	-25	+80	°C
Storage Temperature	Tstr	----	-40	+100	°C
ESD Sensitivity	----	HBM	8000	----	V

Electrical and optical characteristics (Ta = 25°C)

Parameter	Symbol	Test Condition	Value			Unit
			Min.	Typ.	Max.	
Forward Voltage	VF	IF = 700mA	2.2	2.6	3.5	V
Luminous Flux	Φv		----	70	----	lm
Viewing Angle	2θ 1/2		----	140	----	Deg.
Color Temperature	CCT		585	----	595	K

Luminous Flux Bins (Ta = 25°C)

Unit: lm

Bin	K	L	M
Min	60	70	80
Max	70	80	100

Note

1. Flux is measured with an accuracy of ±15%
2. CCT is measured with an accuracy of ± 200K
3. Dominant Wavelength is measured with an accuracy of ± 1.5nm
4. Forward Voltage is measured with an accuracy of ± 0.15V