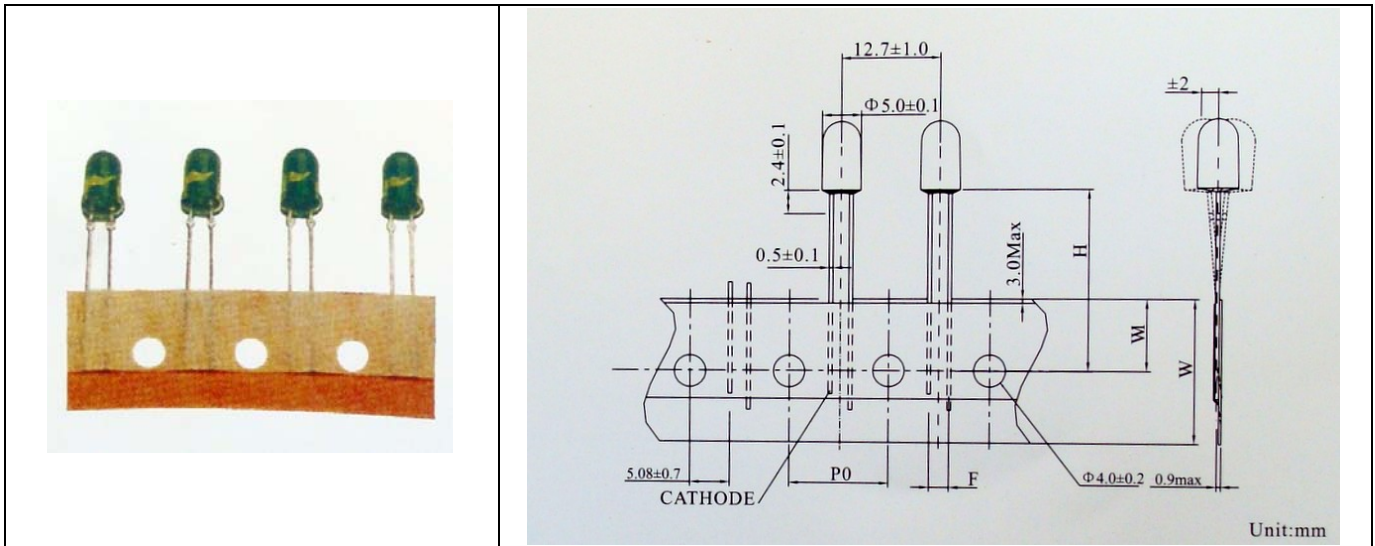


**A. 5MM STANDARD TAPE AND REEL**



TYPE	H	W	W1	F	P0
AS	17.3+0.5	18.0+1-0.5	9.0+0.5	2.54+0.6-0.1	12.7+0.2
CS	22.0+0.5	18.0+1-0.5	9.0+0.5	2.54+0.6-0.1	12.7+0.2
KS	19.3+0.5	18.0+1-0.5	9.0+0.5	2.54+0.6-0.1	12.7+0.2
LS	21.0+0.5	18.0+1-0.5	9.0+0.5	2.54+0.6-0.1	12.7+0.2
MS	25.5+0.5	18.0+1-0.5	9.0+0.5	2.54+0.6-0.1	12.7+0.2

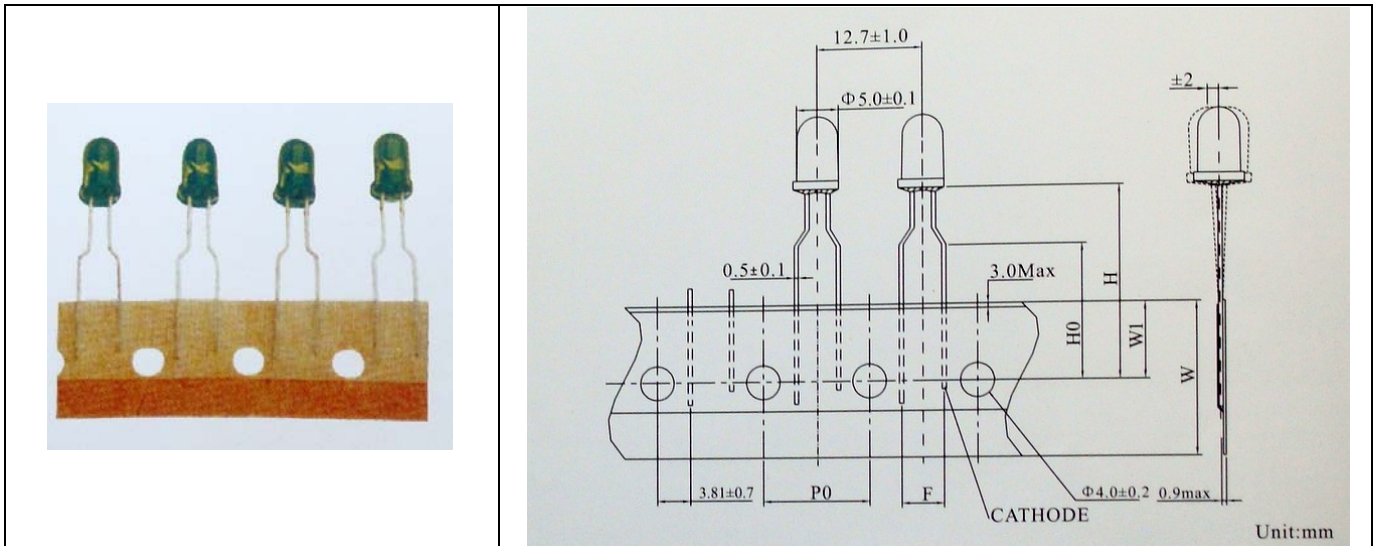
**IMPORTANT**

1. All dimensions are in millimeters
2. Surcharge for taping: US\$0.003/pc
3. MOQ for taping: 10K pcs/color
4. Volume Weight: 0.6KG/1K pcs

**EVERREDTRONICS LIMITED**

1409, Shenfeng Building, No 438 Tianyaoqiao Road, Shanghai 200030 China.  
 TEL: 0086-21 6531 0544 FAX: 0086-21 6531 1544

**B. 5MM LEAD FORMING TAPE AND REEL**



TYPE	H	HO	W	W1	F	P0
BT	20.0+/-0.5	16.0+/-0.5	18.0+/-1-0.5	9.0+/-0.5	5.08+0.6-0.1	12.7+/-0.2
DT	21.0+/-0.5	16.0+/-0.5	18.0+/-1-0.5	9.0+/-0.5	5.08+0.6-0.1	12.7+/-0.2
MT	25.5+/-0.5	16.0+/-0.5	18.0+/-1-0.5	9.0+/-0.5	5.08+0.6-0.1	12.7+/-0.2

**IMPORTANT**

1. All dimensions are in millimeters
2. Surcharge for taping: US\$0.003/pc
3. MOQ for taping: 10K pcs/color
4. Volume Weight: 0.6KG/1K pcs